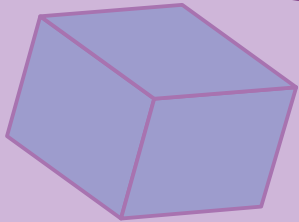


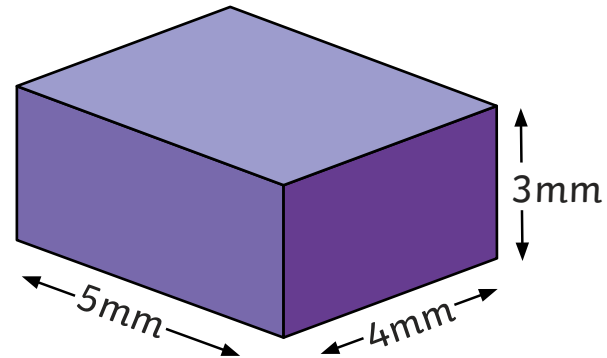
# Find the Volume Using a Formula



Volume of Cuboids

Question 1

Find the volume of the cuboid using a formula.



Volume:

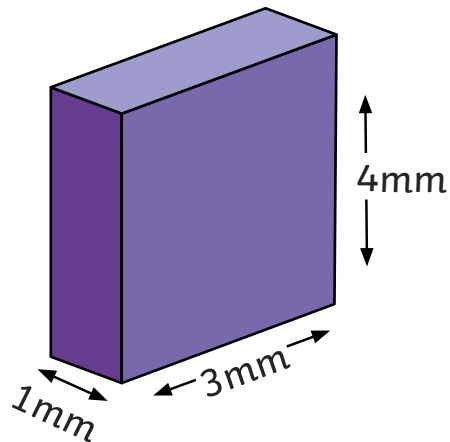
\_\_\_\_\_

twinkl.com

Volume of Cuboids

Question 2

Find the volume of the cuboid using a formula.



Volume:

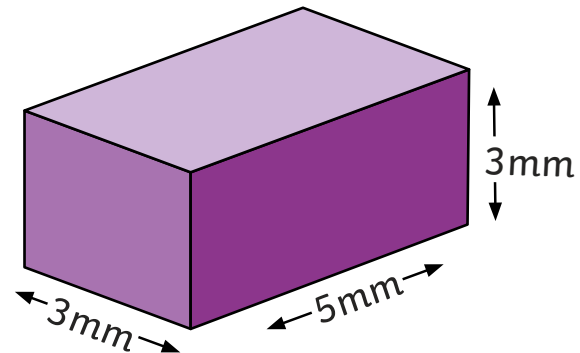
\_\_\_\_\_

twinkl.com

Volume of Cuboids

Question 3

Find the volume of the cuboid using a formula.

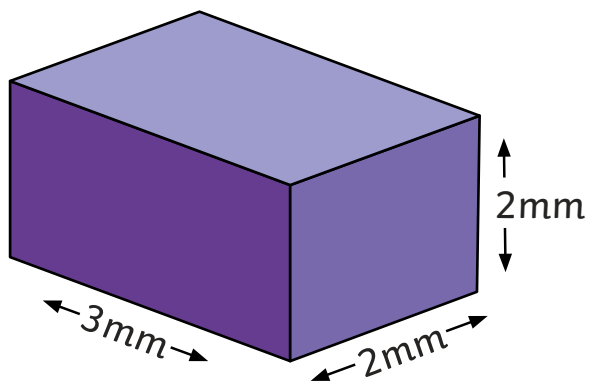


Volume:

\_\_\_\_\_

twinkl.com

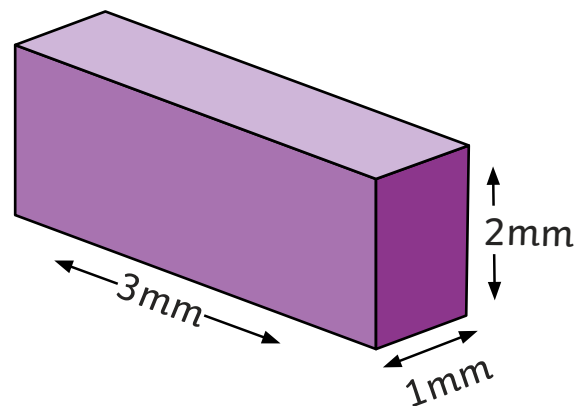
Find the volume of the cuboid using a formula.



Volume:

\_\_\_\_\_

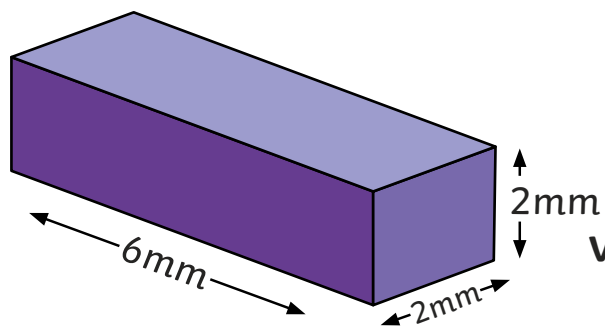
Find the volume of the cuboid using a formula.



Volume:

\_\_\_\_\_

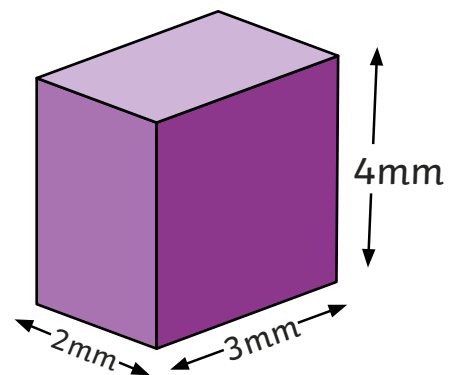
Find the volume of the cuboid using a formula.



Volume:

\_\_\_\_\_

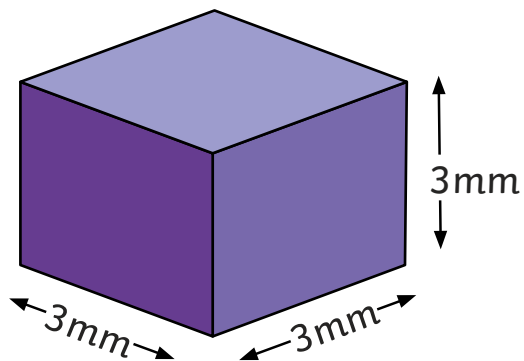
Find the volume of the cuboid using a formula.



Volume:

\_\_\_\_\_

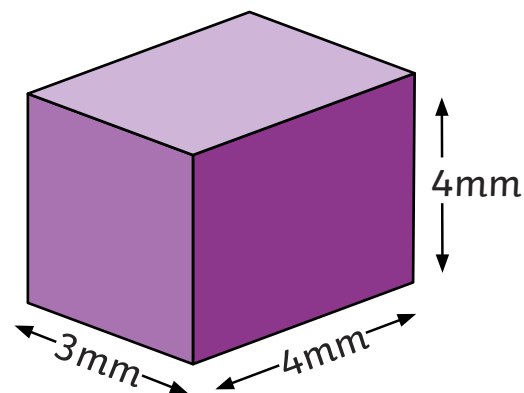
Find the volume of the cuboid using a formula.



Volume:

\_\_\_\_\_

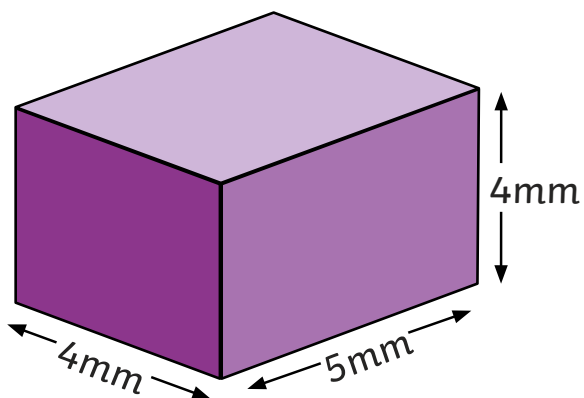
Find the volume of the cuboid using a formula.



Volume:

\_\_\_\_\_

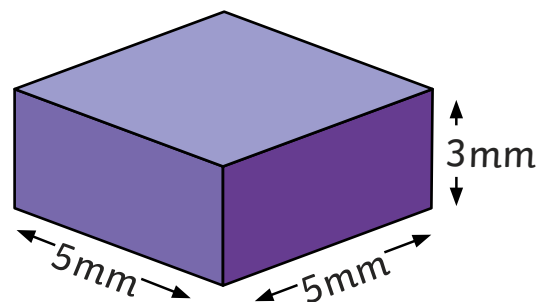
Find the volume of the cuboid using a formula.



Volume:

\_\_\_\_\_

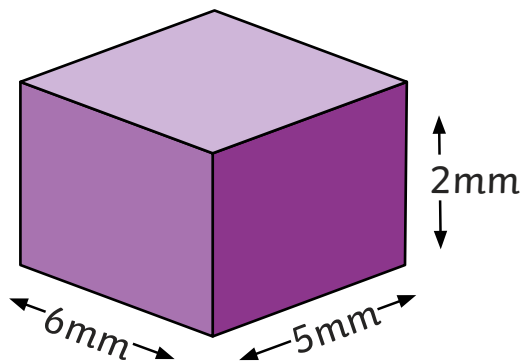
Find the volume of the cuboid using a formula.



Volume:

\_\_\_\_\_

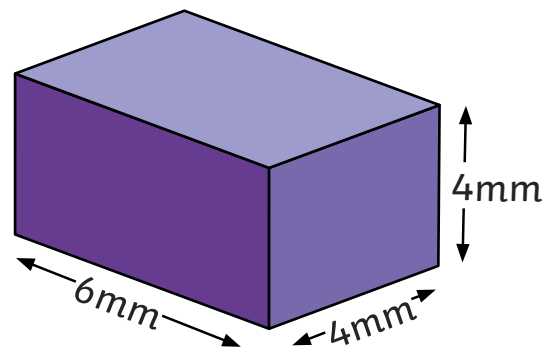
Find the volume of the cuboid using a formula.



Volume:

\_\_\_\_\_

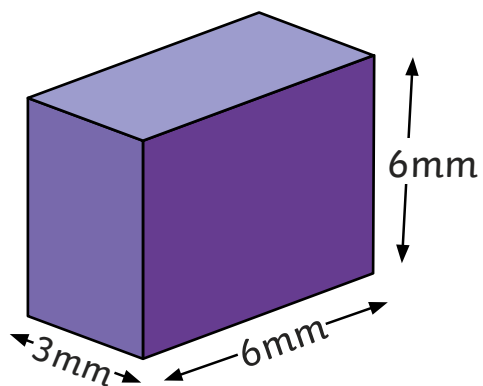
Find the volume of the cuboid using a formula.



Volume:

\_\_\_\_\_

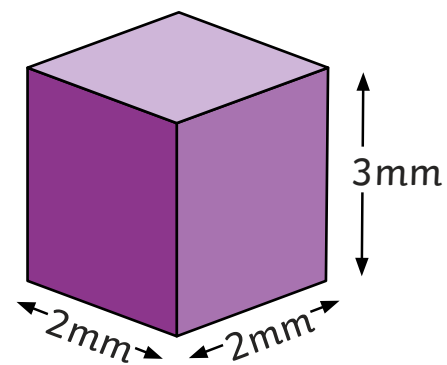
Find the volume of the cuboid using a formula.



Volume:

\_\_\_\_\_

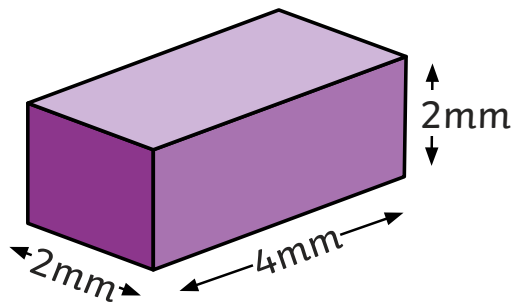
Find the volume of the cuboid using a formula.



Volume:

\_\_\_\_\_

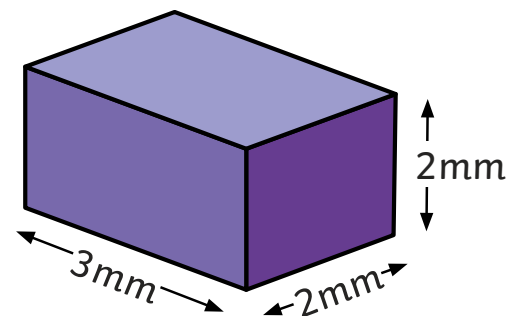
Find the volume of the cuboid using a formula.



Volume:

\_\_\_\_\_

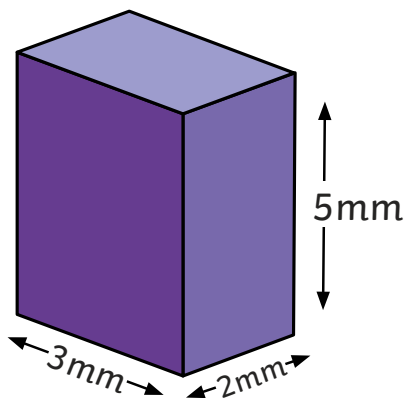
Find the volume of the cuboid using a formula.



Volume:

\_\_\_\_\_

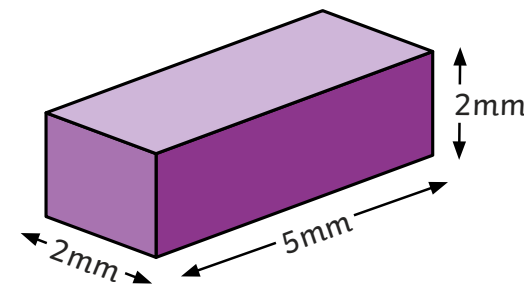
Find the volume of the cuboid using a formula.



Volume:

\_\_\_\_\_

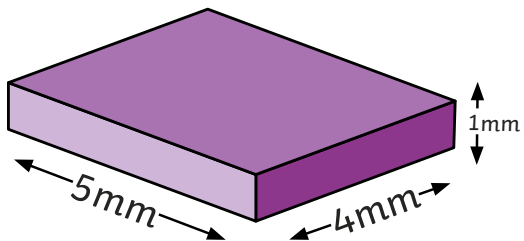
Find the volume of the cuboid using a formula.



Volume:

\_\_\_\_\_

**Find the volume of the cuboid using a formula.**



**Volume:**

\_\_\_\_\_

### Answers

- |                    |                      |                     |
|--------------------|----------------------|---------------------|
| 1. $60\text{mm}^3$ | 8. $27\text{mm}^3$   | 15. $12\text{mm}^3$ |
| 2. $12\text{mm}^3$ | 9. $48\text{mm}^3$   | 16. $16\text{mm}^3$ |
| 3. $45\text{mm}^3$ | 10. $80\text{mm}^3$  | 17. $12\text{mm}^3$ |
| 4. $12\text{mm}^3$ | 11. $75\text{mm}^3$  | 18. $30\text{mm}^3$ |
| 5. $6\text{mm}^3$  | 12. $60\text{mm}^3$  | 19. $20\text{mm}^3$ |
| 6. $24\text{mm}^3$ | 13. $96\text{mm}^3$  | 20. $20\text{mm}^3$ |
| 7. $24\text{mm}^3$ | 14. $108\text{mm}^3$ |                     |